

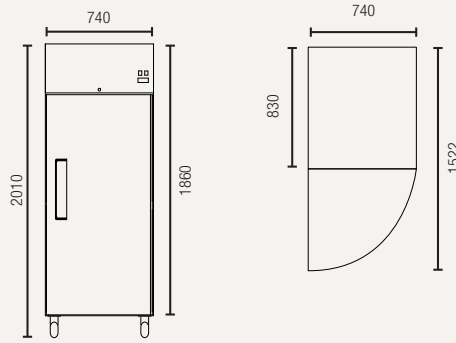
Upright Storage Freezers with Solid Door

Features:

- Lockable self closing stainless steel doors with integrated handles
- Digital controller and digital temperature display
- Dynamic fan forced cooling system with automatic defrosting
- Shelf to fit gastronorm pan size GN2/1
- Frequency/voltage: 50Hz/220-240 V
- Stainless steel finish exterior and interior
- Plastic coated steel shelves
- Refrigerant: R290
- Lockable castor wheels
- Ambient temperatures from +16°C to +43°C



GSF650H



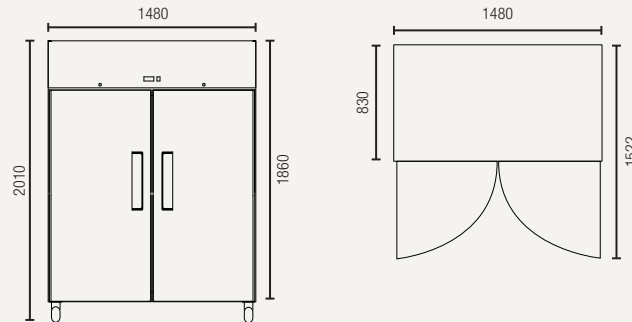
Allow min. 100mm clearance for installation, all vents must be left clear

Gross volume: 685 L
Exterior dimensions in mm: 740w x 830d x 2010h
Number of adjustable shelves: 3

Temperature set range: -18°C to -22°C
Gross/net weight: 141/126 kg
Energy consumption in 24h: 6.44 kWh

\$4,500.00+GST

GSF1410H



Allow min. 100mm clearance for installation, all vents must be left clear

Gross volume: 1476 L
Exterior dimensions in mm: 1480w x 830d x 2010h
Number of adjustable shelves: 6

Temperature set range: -18°C to -22°C
Gross/net weight: 226/201 kg
Energy consumption in 24h: 10 kWh

\$6,700.00+GST